

Genuine Accessories



Vehicle Model: **G70**

Model Year 2019-

Part No. G9F18 AU000

Language English

Rev. Date 8/27/2018

Accessory: **Cargo Blocks**

Difficulty: (A)










Note: Difficulty stated above reflects the minimum level of expertise required to install the accessory:

- (A) Customer
- (B) Dealer Technician
- (C) Master Technician or Specialist

Application Notes

This product is intended for use on carpeted surfaces only, view application chart on Page 3.

Instructional Symbols / Definitions

 Denotes warnings that may lead to serious physical injury or vehicle damage  Denotes cautions to be taken to avoid physical injury or electronic component damage  Denotes cautions to be taken to avoid vehicle and component damage	 Denotes quality processes to be checked prior to moving to the next step  Denotes specific tools that are necessary to complete a step <div style="border: 1px solid black; padding: 2px; text-align: center; width: 20px; margin: 0 auto;">N O T E</div> Denotes important information to be reviewed during the step	Denotes personal protective equipment (PPEs) that may be required for a step. Examples of safety equipment icons noted below: <div style="display: flex; justify-content: space-around;"> <div style="text-align: center;">  Glasses </div> <div style="text-align: center;">  Gloves </div> </div> <div style="display: flex; justify-content: space-around; margin-top: 10px;"> <div style="text-align: center;">  Mask </div> <div style="text-align: center;">  Hearing Protection </div> </div>
---	---	---

Basic Required Tools

NONE

Part Weight (Gross)

0.40	lbs
0.18	kg

FMVSS 110 Compliance Information

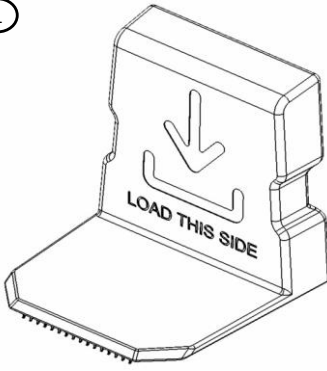
All dealers must determine if the Net weight they have added in the form of all options or accessories, when added to the weight of all Port/Dealer Installed options or accessories, exceeds the lesser of 1.5% of GVWR or 100 lbs. If the additional weight does exceed the lesser of the indicated thresholds, a "Load Carrying Capacity Reduced" label must be installed. A black, fine-point, indelible marker must be used to write by hand onto the label, the reduced carrying capacity in kilograms or pounds, which is the total weight of all added options and accessories.
Load Label Part Number: NP070 - 09003

Notes to the Installer:

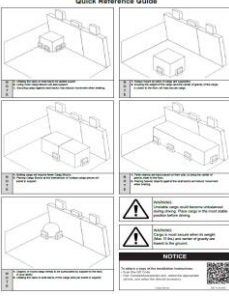
- 1) Read the entire Installation Instructions prior to beginning the installation of this accessory.
- 2) Make sure the vehicle is completely clean and dry in the area(s) the part is to be installed.
- 3) Ensure the vehicle is properly protected in the area(s) that the accessory is to be installed.
- 4) NEVER place tools on painted surfaces, seating surfaces, dash pad, console or floor carpet/mats.
- 5) Always wear appropriate personal protective equipment, including gloves, safety glasses, etc, when required.

Kit Overview

①




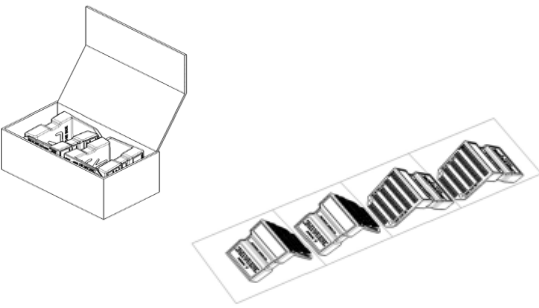
②


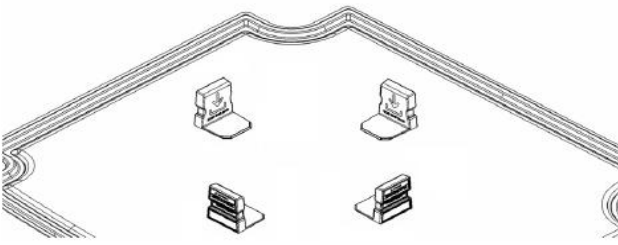


No.	Qty	Description
1	4	Cargo Blocks
2	1	Quick Reference Guide


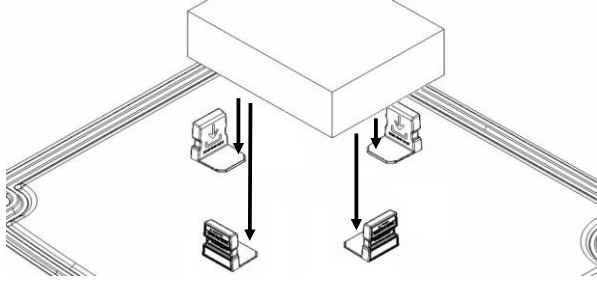

Genuine Accessories


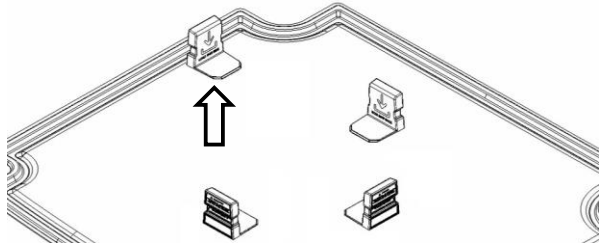

NEW VEHICLE INSTALLATION, PLEASE FOLLOW STEPS BELOW

1		
		
N O T E	<p>A. Open the rear hatch. B. Remove Cargo Blocks from the packaging.</p>	

2		
		
N O T E	<p>A. Place Cargo Blocks on the floor in the shape of a one (1) foot square, with bottoms facing each other as shown. This is the recommended position for demonstrating this accessory.</p>	


FOR CUSTOMERS, PLEASE FOLLOW STEPS BELOW OR REFER TO THE QUICK REFERENCE GUIDE

1		
		
N O T E	<p>A. Open the rear hatch. B. This product is intended for use on carpeted surfaces only. C. Place Cargo Block(s) on vehicle floor hook side down surrounding the cargo to be restrained. Ensure the weight of the item is on the block face. D. Ensure the Cargo Block(s) are properly positioned against the cargo.</p>	
	<p>WARNING: Unstable cargo could become unbalanced during driving. Place cargo in the most stable position before driving. Cargo is most secure when its weight (Max 15 lbs) and center of gravity are lowest to the ground.</p>	

2		
		
N O T E	<p>A. To move Cargo Block(s), lift up vertically until block is disengaged with the floor, then reposition.</p>	
	<p>WARNING: Cargo Blocks(s) will not restrain cargo during heavy braking or accident. Unrestrained cargo can cause injury.</p>	

Genuine Accessories

Visual Check

Item to be Checked	Result
 Cargo Blocks are stable and seated on the floor surrounding the item.	Cargo Blocks are in place.

Care & Cleaning

Cleaning Instructions for: **G70** **Cargo Blocks**

The Cargo Blocks can be wiped, swept, lightly vacuumed, cleaned with water, or soap and water. Do not use petroleum-based solvents for cleaning. Ensure the Cargo Blocks are completely dry before placing them in the vehicle.

Application Chart

Vehicle Model	Model Year	Accessory Compatibility	
		Vehicle Load Floor	*Cargo Tray, Reversible
G70	2019~	✓	✓

* Carpet side facing up only